

US PW Camp  
Tuyen Quang  
1968

DECLASSIFIED PER EXECUTIVE ORDER 12356, SECTION 3.3, NND PROJECT  
NUMBER NND 737597, BY RB/LS4, DATE 11/25/86

<p><b>NOTE:</b> This document contains information affecting the national defense of the United States within the meaning of the espionage laws, Title 18, U.S.C., Sec. 793 and 794. The transmission or the revelation of its contents in any manner to an unauthorized person is prohibited by law.</p>	<h1>CONFIDENTIAL</h1> <p>(Classification and Control Markings)</p>	<p>This report contains unprocessed information. Plans and/or policies should not be created or modified solely on the basis of this report.</p>
---	--	--

1. COUNTRY: VN	8. REPORT NUMBER: 6 029 0960 71
2. SUBJECT: (U) US PW Camp in KIM XUYEN District, TUYEN QUANG Province, NVN	9. DATE OF REPORT: 30 Nov 71
3. ISC NUMBER: 732.600	10. NO. OF PAGES: 6 <span style="float: right;">W32922</span>
4. DATE OF INFORMATION: 29 Feb 68	11. REFERENCES: DIRM: 1Q16, 6G3 SICR: D-6C2-26423 BRIGHT LIGHT
5. PLACE AND DATE OF ACQ: NCHC, SAIGON, VS 15 Nov 71	12. ORIGINATOR: US Element, CMIC, USMACV
6. EVALUATION: SOURCE <u>BF</u> INFORMATION <u>6</u>	13. PREPARED BY: LARRY D. BLALOCK SP6, USA
7. SOURCE: Returnee Interrogation	14. APPROVING AUTHORITY: <i>La Vern A. Gustafson</i> LAVERN A. GUSTAFSON MAJ, USA Acting Dir, US Elm, CMIC

15. SUMMARY: (C) This report contains information concerning a US PW Camp in KIM XUYEN District, TUYEN QUANG Province, NVN, to include the location, description of the camp, camp accessibility, camp security, limited camp staff, and information concerning US PW, including clothing, physical condition of the US PW, and general information. THIS IS A BRIGHT LIGHT REPORT. MACV FOR JPRC.

(Leave Blank)

1. (C) Background Information:

- a. Name: NGUYEN VAN HAI (NGUYEENX, VEAN HAY), CMIC C-3798-71
- b. Rank: ASP
- c. Position and Unit of Assignment: Medical Technician; MY THO City Unit, DINH TUONG Province Unit
- d. DPOB: 4 Apr 34; DONG XUAN Village, THANH BA District, VINH PHU Province, NVN

<p>16. DISTRIBUTION BY ORIGINATOR:</p> <p>DIA 1 cy DIRNSA 1 cy SAC 1 cy CINCPAC 1 cy CINCPAC AF 2 cys CINCUSARPAC 2 cys COMUSMACVTHAI 1 cy MACJ212-2 2 cys MACJ213-1 1 cy MACJ23 1 cy MACJ231 10 cys</p>	<p>17. DOWNGRADING DATA:</p> <p style="text-align: center;">GROUP 3</p> <p>DOWNGRADED AT 12 YEAR INTERVALS; NOT AUTOMATICALLY DECLASSIFIED</p> <p>THIS DOCUMENT IS RELEASABLE TO REPUBLIC OF VIETNAM AND FREE WORLD MILITARY ASSISTANCE FORCES.</p>	<p>18. ATTACHMENT DATA:</p> <p>None</p>
--	---	---

**CONFIDENTIAL**

DEPARTMENT OF DEFENSE INTELLIGENCE INFORMATION REPORT

CONTINUATION SHEET

**CONFIDENTIAL**

(Classification and Control Markings)

REPORT NO. 6 029 0960 71  
PAGE 2 OF 6 PAGES  
ORIGINATOR COMUSMACV (CMIC)

(Leave Blank)

e. Parents' Names: Father, NGUYEN HUU CHI (NGUYEN, HUW CHIS), living; Mother, CAO THI EN (CAO, THIV ERS), living

f. Circumstances of Return. Source was assigned to Dispensary No 1, MY THO City Unit, DINH TUONG Province, in May 71, and promoted to Aspirant in Aug 71. During this period, Source became involved with a female in the dispensary, and was subsequently criticized by the party and his membership was revoked. This angered Source to the extent that he rallied to the BINH DUC Village Council, CHAU THANH District, DINH TUONG Province, on 31 Aug 71.

g. Significant Activities:

(1) 1945 to Jun 1968. From 1945 to 1949, Source went to school the DONG KHAN Village School, THANH BA District, VINH PHU Province, NVN. Source then attended three years of secondary school at THANH BA District School and two years of high school at the province level. Source was forced to discontinue his education for financial reasons. In early 1956, Source attended a medical training course at the VINH PHU Medical School which lasted eighteen months. After graduation, Source was employed at the 103d Hospital, NVN Defense Ministry, for one year. Due to receiving a low salary, Source returned to his POB in 1959, where he worked as a medic for the village dispensary until 1962. In early 1962, Source began working as a medic for the Lime Production Company of the Construction Service of VINH PHU Province, where he remained for six years. On 29 Feb 68, Source went to visit his high school classmate, **ILT KHOA**, the executive officer of a US PW camp located in TRUONG LUONG Village, KIM XUYEN District, TUYEN QUANG Province, NVN. Source was inside the camp for approximately two hours while waiting for **ILT KHOA** to attend to some business. At that time, Source and **ILT KHOA** left the camp and went to **ILT KHOA's** residence in TRUONG LUONG Village.

(2) Jun 68 to Aug 71. In Jun 68, Source was drafted into the NVA and sent to a medical training school of the VIET BAC MR, located in HONG KY Village, PHU BINH District, VINH PHU Province, NVN, for a three month course to improve his medical training. After graduation, Source was promoted to corporal and assigned as a medic to the 7B Bn, 3d Regt, 304th Div, located in HA BAC Province, NVN. In Nov 69, Source was promoted to sergeant. At this time, the 7B Bn began infiltration (infiltration group number unknown, with 700 men at BAC NINH City, HA BAC Province. After travelling to QUANG BIAH Province, the battalion crossed the TRUONG SON Mountains into LAOS, and followed the HO CHI MINH Trail into CAMBODIA. The 7B Battalion ended infiltration in early Mar 70, at SVAY PIENG Province, CAMBODIA, with approximately 500 men. At this time, Source and two other cadre from the 7B Bn were assigned to the X-12B Hospital, MP-2, located in the TAN LAC area of SVAY PIENG Province, CAMBODIA. Fifteen days after Source's arrival at the X-12B Hospital, he began further training to be a medical technician. Due to increased ARVN operations in the area, the training was transferred to the NGANG Canal, DONG THAP District, KIEN TUONG Province, RVN. However,

**CONFIDENTIAL**

DEPARTMENT OF DEFENSE INTELLIGENCE INFORMATION REPORT

CONTINUATION SHEET

**CONFIDENTIAL**

(Classification and Control Markings)

REPORT NO. 6 029 0960 71  
PAGE 3 OF 6 PAGES  
ORIGINATOR COMUSMACV (CMIC)

(Leave Blank)

only 10 of the trainees arrived at the new site. In May 71, Source graduated from the course and was promoted to Sr SGT and assigned to Dispensary No 1, MY THO City Unit, DINH TUCNG Province Unit, RVN. In Aug 71, Source was promoted to Aspirant; however, soon after that he became involved with a nurse at the dispensary and came under severe criticism by the party. In mid-Aug 71, Source's membership in the party was revoked. Because of the criticism, revocation of his party membership, Source's increasing belief in the GVN Chieu Hoi Program, and his listening to GVN radio broadcasts, Source decided to rally to the GVN, which he did on 31 Aug 71, at the BINH DUC Village Council, CHAU THANH District, DINH TUCNG Province, RVN.

h. Additional References: CMIC PW/Rallier Exploitation Guide; Map: VIETNAM, AMS Series L7014, Sheet No 6052 II, Edition 1, dtd 1965, Scale 1:50,000.

2. (C) US PW camp located near TRUNG LUONG Village, KIM XUYEN District, TUYEN QUANG Province, NVN. The following information is based on SICR D-7CX-49018 (US FW Information, NVN):

a. Location. The FW camp was located just north of TPuong LUONG Village (vic WJ335805), KIM XUYEN District, TUYEN QUANG Province, NVN.

b. Description. The area of the PW camp (approximately 200m x 200m) was surrounded by a bamboo thatchwork fence which was approximately two meters high. At each of the four corners of the fence was a one-man guard shelter approximately two meters high. A one-man shelter was also located at the only entrance to the camp. The only access road to the camp was a dirt path approximately two meters wide, and access was blocked by a swinging bamboo thatchwork gate approximately two meters wide by two meters high. There were two water wells inside the compound. One well (2m in diameter) was located in the northeast corner of the compound and was used for drinking and washing before meals. The other well (2m in diameter) was located in the southeast corner of the compound and was used for bathing, personal hygiene, and washing clothes. There were four buildings (30m x 10m x 3m), which were used for housing PW, two other buildings (30m x 10m x 3m), which Source assumed were also used to house PW, a mess hall (30m x 1.5m x 3m), a conference building (40m x 15m x 3m), and a living area for guards and administrators (20m x 8m x 3m). Each PW building was divided into 10 to 12 rooms with one door which opened to the outside to each room. Each room could accommodate four PW. All buildings in the compound were constructed of wood with bamboo thatched roofs. There were three ping-pong tables and an area to play volleyball inside the compound. The camp's electricity was provided by a generator (exact type and size unknown) located outside the compound near the northeast corner. The generator was operated and maintained by three men from another unit (NFI). There were lights in the PW buildings, but Source did not know if each room was equipped with a light fixture. There was one 100-watt light bulb suspended from a large tree in the center of the compound for illumination of the camp at night. The entire area was well camouflaged by trees and thick foliage.

**CONFIDENTIAL**

DEPARTMENT OF DEFENSE INTELLIGENCE INFORMATION REPORT

CONTINUATION SHEET

**CONFIDENTIAL**

(Classification and Control Markings)

REPORT NO. 6 029 0960 71  
PAGE 4 OF 6 PAGES  
ORIGINATOR COMUSMACV (CMTC)

(Leave Blank)

(Interrogator's Note: Source believed the area could not be located by air or ground unless directions were provided). (For further information, see sketch provided by Source on page 6.)

c. Camp Accessibility. The PW camp was located approximately one and one-half kilometers northeast of TRAM Mountain (vic WJ 320793). The camp could be reached in the following ways: cross the LO River by ferry at (vic WJ 316776 to WJ 318782), then proceed along CHTEN LUOC Street continuing past the CHUNG LUONG Marketplace for one kilometer until arriving at a dirt road, turn west on the dirt road and continue for approximately two kilometers to TRUNG LUONG Village, NIM XUYEN District, TUYEN QUANG Province.

d. Camp Security. Camp security was handled by 130 to 150 NVA soldiers who lived in and around the PW camp. During daylight hours, one man was stationed at each guard tower, and an unknown number were inside the compound on a roving patrol. Source did not know the policies for guarding at night. Each guard was armed with an AK-47 and 150 to 200 rounds of ammunition.

e. Camp Staff. The camp staff lived with their families in TRUNG LUONG Village. Source knew only the assistant director of the camp: LLT KHOA (KHOA); age 39, 1.60m, 55kg, light complexion, birth mark on right side of face between the temple and ear, NVA.

f. US PW:

(1) Number. The assistant director of the camp told Source that there were approximately 200 US pilots being detained at the camp. These PW were to be moved elsewhere at a later unspecified date for political indoctrination (NFI).

(2) Identification. Source was unable to describe or identify any PW from the JPRC US PW Photo Album.

(3) Clothing. All PW observed by Source were dressed in a blue shirt and blue trousers and wore HO CHI MINH sandals. (Interrogator's Note: When asked if the blue uniforms might be a pilot's flight suit, Source stated that he believed the clothing was a special uniform provided to the PW by the camp staff). There were no markings on these uniforms.

(4) Daily Activities of the PW. Source did not know if the camp had a daily schedule or any work details. He only observed PW either informally talking among themselves or playing ping-pong.

(5) Diet of the PW. The PW were fed three times a day in the mess hall, and they received the same food as the guards.

(6) Physical Condition of the PW. The few PW observed by Source seemed healthy and active. Source did not know if there were any medical facilities provided at the camp.

**CONFIDENTIAL**

DEPARTMENT OF DEFENSE INTELLIGENCE INFORMATION REPORT

CONTINUATION SHEET

**CONFIDENTIAL**

(Classification and Control Markings)

REPORT NO. 6 029 0960 71  
PAGE 5 OF 6 PAGES  
ORIGINATOR COMUSMACV (CMIC)

(Leave Blank)

(7) Morale of the PW. Source did not come into contact with any PW; however, he believed their morale was high considering their circumstances.

(8) General Information. Source observed one landline telephone in the conference house. Source had no knowledge of other communication facilities at the camp, nor did he know of any surrounding support units. Source knew no camp policies pertaining to PW discipline, welfare, or interrogation.

(U) COMMENTS: Source was of average intelligence and cooperated fully throughout the interrogation. His limited knowledge of the camp is due to the fact that the purpose of his visit to the camp was to visit the camp's assistant director and not to observe the PW or the facilities of the camp. The use of control questions revealed no apparent attempts at deception. This report partially satisfies the requirements of SICR D-6C2-26423.

**CONFIDENTIAL**

DEPARTMENT OF DEFENSE INTELLIGENCE INFORMATION REPORT

CONTINUATION SHEET

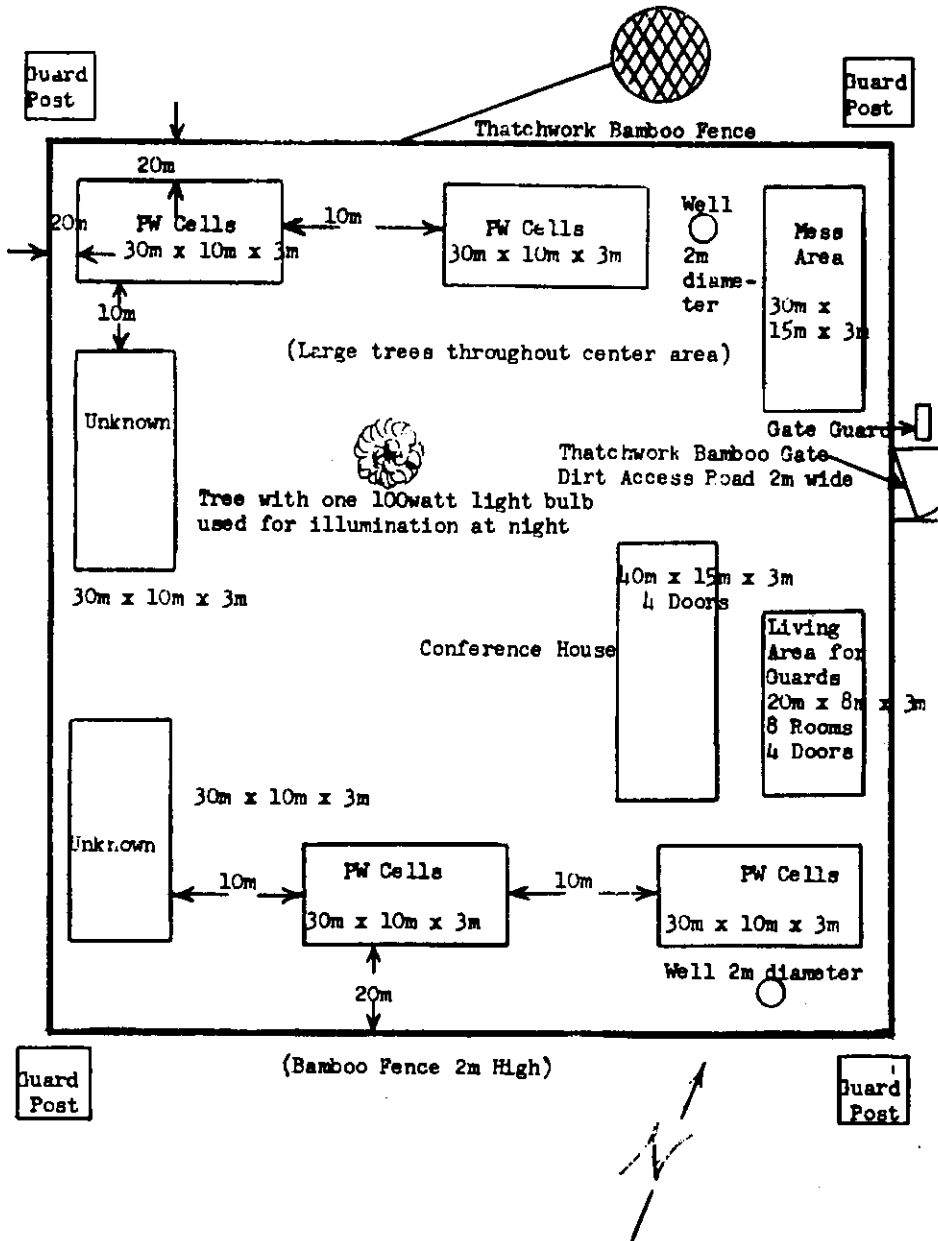
**CONFIDENTIAL**

(Classification and Control Markings)

REPORT NO. 6 029 0960 71  
PAGE 6 OF 6 PAGES  
ORIGINATOR COMUSMACV (CMIC)

(C) Sketch of the PW Detention Camp located at TRUNG LUONG Village, KIM XUYEN District, TUYEN QUANG Province, NVN, as provided by Returnee NGUYEN VAN HAI, CMIC C-3789 (DOI: 29 Feb 68) (Not to Scale)

(Leave Blank)



**CONFIDENTIAL**