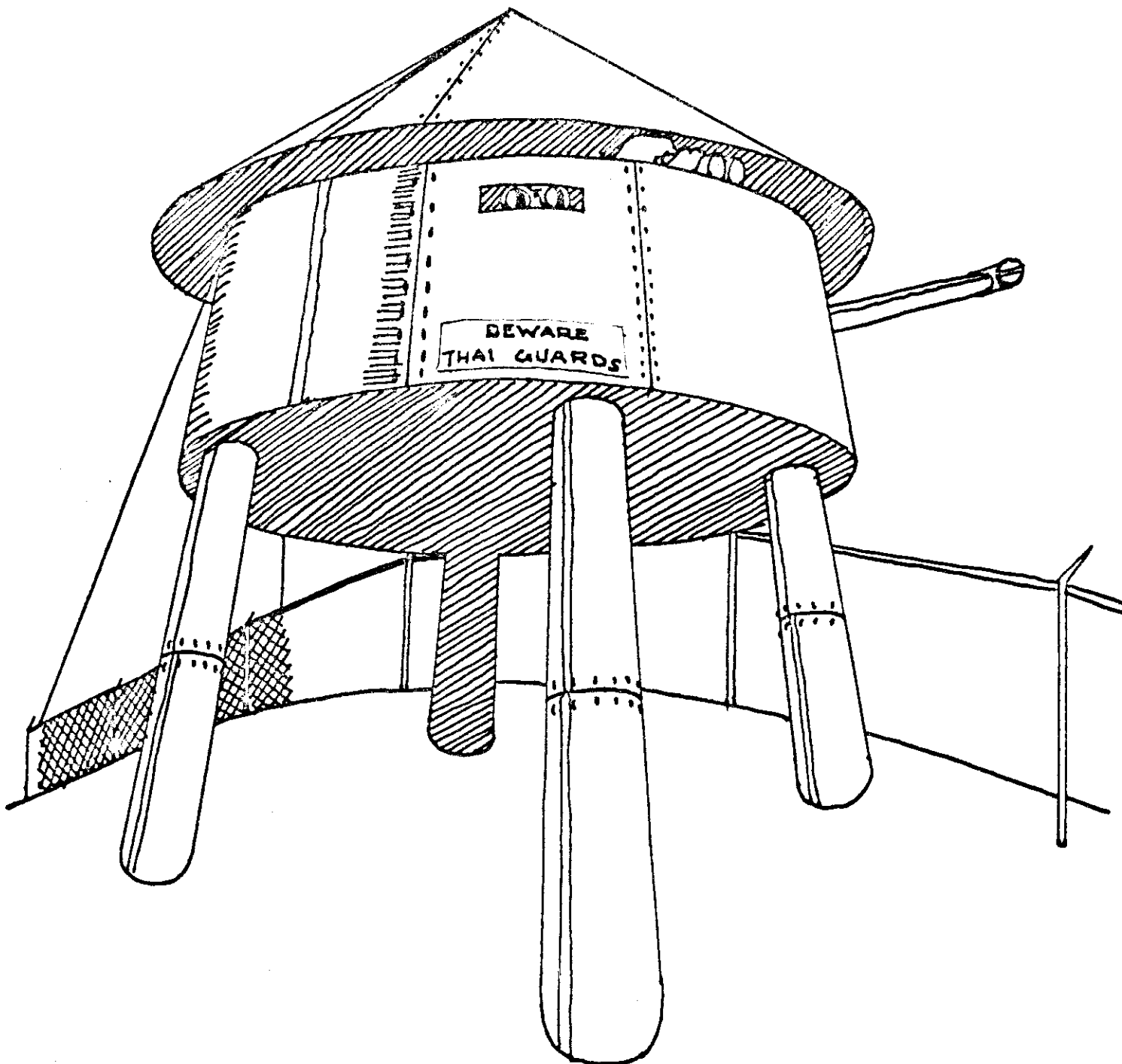


VOL. II, NO. 23

NOVEMBER 17, 1973

RAMASUN, THAILAND

# PROVIDING SECURITY



**\* KOBRA - 7 \***

VOLUME NO. 2	NUMBER 23
EDITORIAL	2
PROVIDING SECURITY	3
COMPANY NEWS BRIEFS	4
PIN-UP #27	5
GAME PAGE	6
THAI MARRIGES	7
SPORTS	8
DRUG QUIZ	9
EXCERPTS FROM THE QUILL	10
MOVIE SCHEDULE	11
ANSWERS TO DRUG QUIZ	12

Let's face it, scientists have not yet discovered how to get "Blood out of a stone," but now they're getting something perhaps even more valuable.....oil out of rocks. The Federal Government estimated there's enough oil shale in Utah, Colorado, and Wyoming to yield about 600 billion barrels of petroleum. That's more than all the reserves of the oil-rich Middle East put together. And it's said that through a new process developed by the Oil Shale Corporation of New York, this enormous source of energy is on the verge of being tapped.

**EDITORIAL**

There is an old Army saying that states "GIs aren't happy unless they are complaining." If that's the case, the troops at Ramasun are the happiest people in the world.

How often have you heard someone complain about the service in the NCO Club, or about the food in the messhall, or about the service they get from their house girl.

The thing about all these complaints is that they are very general in nature, nothing you can put your finger on. If you think about it, there really isn't anything that bad about the NCO Club or the messhall. The complaints come because there really isn't a way of showing overall discontent with the situation or being here.

Then again, there are many who have been here for more than their one year tour of duty. Yet the complaints continue to be heard. You would think it a might paradoxical at best.

**X-MAS EARLY OUTS**

WASHINGTON (ANF)----Early outs will be granted to most officers and enlisted men and women who are scheduled to leave the Army between December 18 and January 7.

Those eligible for the early out will be released December 10-19 or as soon as possible thereafter.

Officers eligible for release under this policy may be retained on active duty by their command until their normal release date if operational needs make it necessary.

Enlisted men and women who would suffer a personal hardship because of an early release will be permitted to remain on active duty until normal or adjusted ETS.

**KOBRA 7 Staff**

COMMANDER . . . . . COL DF PINS  
 SENIOR ADVISOR. . . . . MAJ PM ACKERMAN  
 EDITOR-IN-CHIEF . . . . . C ARONS  
 STAFF ARTIST. . . . . JIM JENNER  
 REPRODUCTION. . . . . KEVIN ELMORE  
 PHOTOGRAPHY . . . . . FL VERSCHOOR

LAST ISSUE'S CIRCULATION

9 20

The KOBRA-7 is an unofficial bi-monthly publication authorized under the provision of AR 360-18, and is published by the Information Office, 7th RRFS, APO SF 96386 - telephone extension 2237/2348. Views and opinions expressed herein are not necessarily those of the Department of Defense, or any of their agencies or commands. The KOBRA-7 subscribes to the American Forces Press Service and Army News & Photo Features. Method of reproduction is multi-lith apparatus located at S-1.

The Royal Thai Security Guards

## PROVIDING SECURITY

As you enter the gates of Ramasun you will notice personnel other than the U.S. MPs, who provide physical security for the post and its personnel. Who are these individuals?

The people you see at the gates with the MPs are members of the Royal Thai Security Guard (TSG). They are responsible for the perimeter security of Ramasun, as are other TSG units at other posts around the country.

The unit in Ramasun is under the command of Major Sook, Marssarus, the local company commander, and Cpt Edward S. Bowles, the Technical Representative of the Contracting Officer (TRCO).

According to Sgt Rodd Sonnenberg alternate TRCO, the TSG is comprised of two basic groups, the regular security squads and the QRF squads. The total size of the unit which is headquartered at Peppergrinder, is approximately 179 men.

The four regular security squads perform gate security and man the towers that line the perimeter of the compound. They are responsible for checking all incoming and outgoing personnel, and insure that unauthorized materials aren't removed from the installation.

One of the more interesting things about the TSG is that it is manned by a strictly volunteer force. The average pay for a member of the TSG is about 1,600 Baht (\$80) a month. They are authorized one day of leave for each month of service. This leave can be accrued up to ten days, but cannot be carried over from one year to the next.



Training for these forces include three weeks of basic training, three weeks of intermediate training, and if deemed appropriate by the company commander three weeks of advanced training.

During this training, the TSG is trained in military operations similar to our basic training. They are taught the use of the M-2 carbine, the M-60 machinegun, the M-16 automatic rifle, and the .45 caliber pistol.

After completing their formal training, they are still required to take six hours of topical training a month. Subjects are selected by the TRCO and include such things as first aid, and perimeter security measures. They are also required to qualify with their weapons twice a year.

Although they are trained in the use of various weapons, the mainstay of the TSG arsenal is the M-2 carbine and the .45 caliber pistol. Their weapons, as with the rest of their equipment, is supplied by the U.S. government. Equipment includes a basic clothing issue, web gear and a weapon.

The TSG are under the command of U.S. personnel at all times. The commands come from the Thai Liaison Office, which is staffed by five American MPs. These five are the ones who decide when the TSG should make a tour of the perimeter, and they are responsible also for checking to insure that the security towers are manned properly. They have control throughout the day and night.

According to Sgt Sonnenberg, the TSG are "really reliable." "They do a hell of a job," he added saying that "if something should happen, they WOULD react."

# Company News Briefs

## COMM CENTER

Story of the week--how a certain Master Sergeant has been running and riding his bike around the perimeter for ten months--and just found out that he was supposed to be inside the fence.

Humor of the week---the Commcenter was visited by the Lone Ranger --we know it true, cause we saw the silver bullet.

Quote of the week: "Things won't be like this in the 4th Division."

## A Co.

A Company bids farewell to 1SG Dunford and PFC Edie, who have the dubious honor of forming Charging Charlie Company. It has been rumored that they took half of "A" Company orderly room with them. Thanks alot.

CPT Orvold and 1SG Burris are getting settled as the new regime with the 1st team. They will try to uphold the tradition of keeping the 1st team first.

A new sidewalk is being laid across the jungle behind the orderly room for all the people who know they don't have any mail.

Best wishes for continued recovery go out to SP4 Dill, who knows what "True Love Never Runs Smooth" is all about.

SSG Mandell, PFC Overman, and PFC Sandoval received this month's Co A Civil Affairs Action Award for their efforts to sustain economic stability in Non Soong, and are believed to be initiating their own S-5 section in Mighty Alpha.....Nuff said.

Company would like to wish a hearty welcome to SFC Crass, SFC Mills, SP4 Capinski, SP4 Licking, SP4 Long, SP4 Miller, PVT Blanchard, PVT Burke, PVT Glisson, and PVT Roberts.

## B Co.



## SOM

POST SOLDIER OF THE MONTH: Honors once again were claimed by B Company. This month SP5 Lester L. Marois captured the title. Specialist Marois is currently a member of the APO staff. For his efforts in working for the Company and Post Soldier of the Month Boards, he received a \$50 U.S. Savings Bond, a letter of appreciation from Col Pins, and a three-day pass, which he is on at the time of this article. Specialist Marois hails from Arizona, but at present calls South Non Soong home. Our congratulations to you and good luck at the Soldier of the Quarter Board next month.

## C Co.

On November 9, C Company became a reality report. Although having a present strength of three it is expected to provide some tough competition to the other companies of Ramasun Station. Look out heerrrrrr's Charlie!!!!

PIN-UP  
#27



# TARGET-



How many words, of four letters or more can you make from the letters shown here? In making a word each letter may be used only once. Each word must contain the large letter, and there must be at least one eight-letter word, no plurals; no foreign words; no proper nouns.

THIS ISSUE'S TARGET: 14 words - good  
17 words - very good; 19 words - excellent. THINK!



"Could I have another drink of water?"

# Word Search

"GREAT COMPOSERS"

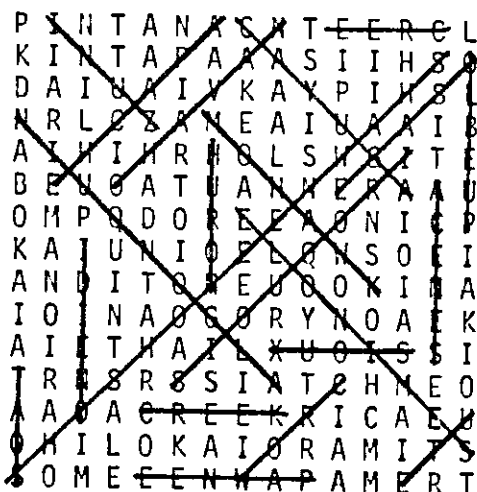
Notes on some of the great composers listed: Bach, one of the greatest and most influential composers of the Western world, was also the father of 20 children; Schubert, who composed symphonies, Masses, 21 sonatas, and over 600 songs, did it all in a lifetime of only 31 years.

P S N I P O H C V T L O Y R S  
W F H T T N P T C I N K I S R  
N A O O O C E D S V S M U A T  
H D G N S Z H Z N N S A V Z I  
O E I N I T T A I K R E N O N  
S B I B E N A V I T L E S I I  
S U D V O R A K S K V P D L N  
L S R A M R O M O O P N R A  
E S E N T R H L H V U V K E G  
D Y V S S A E T H C I H S B A  
N R K A R D E A C R A C C K P  
E T K B N E Y I V O A R H A Y  
M O T A B D N D T R A Z O M B  
V S H V N I O T R E B U H C S

# Quacky Quiz

- Now that the country is without a vice president, House speaker Carl Albert is first in the line of succession to the presidency. Who follows Albert in the line of Presidential succession?
- How many persons are fed by each farm worker in the U.S.?
- Where is the world's highest ski lift located?
- Conservationists tell us a great many species of the world's wildlife are in danger of extinction. Do you know where most of the different endangered U.S. species are found?
- Which is the only state that does not provide for the removal of executive and judicial officers by impeachment?

ANSWER TO PREVIOUS W.B.



ANSWERS TO PREVIOUS QUACKY QUIZ

- The Liberty Bell weighs about one ton, 2,081 to be exact.
- The deepest lake in the US is Crater Lake in Oregon which, according to the World Almanac reaches a depth of 1,932 feet.
- Alcatraz is the Spanish word for pelican.
- The first Attorney General of the U. S. was Edmund Randolph, appointed by President George Washington in 1789.
- Honolulu, the name of the capitol of Hawaii, means "Sheltered Bay" in Hawaiian.

# JAG

## THAI MARRIAGES

*(Recently, the office of the Command Judge Advocate assumed the responsibility from the Unit Personnel Office of counseling and processing all prospective Army members who wish to marry a foreign national in Thailand. Here is a point-by-point checklist of the paperwork procedures involved in this process. Ed.)*

Ever since the occupation of Japan immediately after WWII, the US Army member in the Far East has expressed dissatisfaction with the complex administrative procedures required to marry the local national 'girl-of-his-dream' in the country to which he is assigned. Although this conception is generally accurate, few soldiers realize that there is in fact two separate procedures which they must abide by in order to have their foreign marriages recognized by the US authorities. First, they must obtain the approval of their company commander, the installation commander, and the major overseas area commander to get married. (This is also known as the military chain of command and is necessary to have the marriage recognized by the Army.) Failure to comply may subject the individual to punitive measures. Second, they must obtain approval from the US Immigration authorities in order to secure a non-quota immigration visa for the foreign wife so that she may accompany her spouse back to the "world" upon his rotation. Although both procedures are handled by completely different agencies, the actual mechanics are quite similar. The JAG Office can advise prospective marriage applicants on both chains of approval, complete with instruction guide.

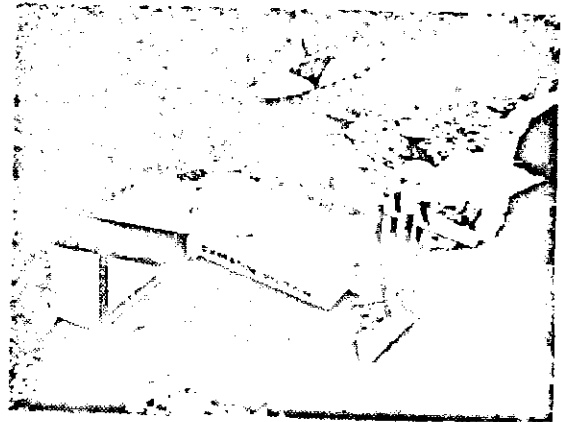
### APPLICATION FOR COMMAND APPROVAL:

It has been the policy of DA to counsel parties to assure they are physically financially, and legally free to contract a marriage, and to determine whether the proposed spouse will be eligible for immigration to the US. (It is readily apparent that anything which may protect a GI from later problems with immigration authorities, justice authorities [in bigamy cases], or health officials, is a desirable procedure.) The only legitimate gripe against the command approval procedure is the excessive time required to process each application. For example when all counseling and investigation is completed by this station, an application packet - when completed - will be in excess of forty pages and will, until recently, have taken more than three months

to compile. This is an undesirable time span for two reasons: it encourages frustrated applicants to marry in violation of regulation, and many of the investigations or examinations are applicable for short periods of time (i.e. physical exam is valid for 30 days). There-

fore, the JAG Office (located in the new ADMIN/Training BLDG.) Has consolidated the marriage application requirements into a package of blank forms. Following a checklist, the marriage applicant will fill in the blank forms himself. This should cut processing time in half for the diligent suitor.

## LITTLE MIAMI



Choice lots are still available in "Little Miami," a joint venture of the Ramasun Hills Development Corp. and Lumpy Construction Company. Each lot features beach-front property along the beautiful Box Klong, in the northern suburbs of metropolitan Non Soong.

Already put in by the developers is an Olympic style diving board, beach umbrella, and a planned cabanna club. The property offers 24-hour security protection and excellent dinning facilities nearby.

The present owners, some of the original quackers in the area, have agreed to accept small down-payments (a crust of bread) and easy terms to DEROS. So come out and inspect Ramasun's newest re-creation area, but don't forget to bring your badge!

# SPORTS.

Moving into the stretch drive of the basketball season, three teams have already clinched births for the divisional playoffs, while two other teams battle it out for the fourth and final slot.

The two teams to represent the East are MMN and UPO. MMN holds a slim 1/2 game lead on the UPO team but they meet in the season's crucial test Tuesday night.

A lot of things could happen with the outcome of that game. If MMN wins, it would just about assure them of a first place finish in their division and pit them against the "if" team in the final round of the playoffs. However, if UPO should knock off MMN, the division would probably end in a tie, and a coin flip will decide who gets the top spot.

The coin flip would be very important because the losers would have to meet MMI, the top team in the West division. MMI has defeated both MMN and UPO in league action, and is still undefeated.

With MMI already taking first in the West, the dog fight is on for the second slot. As of now, H&S holds a slim 1/2 game lead over C&L, but these two teams will meet head on November 22 with the outcome deciding who will get the final playoff birth.

If C&L should beat H&S, all indications are they will finish with identical 9-6 records. If it turns out this way, a one game playoff will be required to decide who will go into the playoffs as the West's second representative.

The Non-Commissioned Officers Association, Ramasun Chapter, will hold a General Membership Meeting at the Company B Picnic Area on Tuesday, November 20, at 6:30 p.m.

The meeting will be open to all NCOA members and to all interested persons and prior enlisted persons E-4 thru E-9. Refreshments will be served.

He knows what he is doing.....  
...but what has he done?

Fred Frazier

## USO DUE

It was started last year, and it won't be finished until next year, but the new USO Club is going to have anything anyone could ask for from a cafeteria to a theater for live entertainment.

The idea for a service club for Ramasun came up a year ago, was approved and construction started. During the building stages, it was decided that due to personnel shortages, the club when it was completed would have to be converted to a USO club. Staffing of a service club was out of the question.

Activities, common to all USO operations, will include live USO shows, tours and trips, a game room, reading rooms, and a cafeteria. Just about anything one could want.

According to Major Carl R. Lupardus, S-1 at Ramasun, "There will be alot for the troops to do, and we hope it will be established as soon as possible."

## VANDALISM HITS MAILROOM

Due to the recurrence of vandalism to the unit mail room, there is the possibility of curtailing the mailroom operating hours to 7:30 a.m. to 5 p.m.

According to Cpt Yount, the Unit Postal Officer, current acts of vandalism include more than \$200 worth of damage to the building, water being thrown into the redirect box, and a match being thrown into the mail drop.

Besides damage to government property, these acts are destroying personnel mail. If it continues, Cpt Yount stated that he would be forced to close the mail room down at 5 p.m.

# DRUG QUIZ

The following is a quick quiz on drugs for those who want to know what's happening.

Magnanimous the Cool's tealock gave him two hits of White Horse. The next day he was hit for Golden Flow. Magnanimous will most likely turn up positive for:

- a)Barbiturates      b)Morphine(smack)  
c)Amphetamines      d)Hallucinogens  
e)nothing (he will turn up negative

Cleveland Clyde took 200 acid trips in 1969. In 1970 he shot speed in one or two week "runs". In 1971, he snorted or shot cocaine at least once a day. In 1972 he shot smack for two months every day. Over this period of time he was physically addicted to how many drugs?

- a)1    b)2    c)3    d)4

Omar was used to White Horse, but he OD'd on the "Rich Man's Drug". He took:

- a)Panama Red    b)Cocaine    c)Owsley Acid  
d)Saigon Smack

Wierd Harold copped some dope (i.e. marijuana) to get mellowed out before going downtown. He did half a joint, felt drowsy and immobile, and just stayed in his bungalow. The grass was most likely:

- a)soaked in wine    b)laced with smack  
c)laced with methedrine  
d)clean Asian grass

Terry the Burnt--out "speed freak" is grinding his teeth and needs some sleep. He tries some:

- a)Window Pane      b)Coke      c)Peyote  
d)Acapulco Gold    e)Smack

\* \* \* \* \*

DID YOU KNOW: You can mail 100 pounds of baggage to your home or next duty station by 4th Class mail for approximately \$23. If you ship excess baggage thru the normal military channels, that 100 pounds would cost you more than \$67.



## ASK the DOC

Q. I have had acne since my teens. Can anything be done to resolve this condition? Larry I.

A. There have been several advances in the past few years in the field of dermatology. We now have a different approach to this problem involving the use of antibiotics, etc. Please stop by for an initial evaluation. Perhaps we can resolve your problem.

Q. Is it possible to get dysentery in Thailand? Mike S.

A. We have seen no cases of dysentery (a severe form of bowel infection) at this station. What we do see a great deal of is a viral form of enteritis. Unfortunately there is no cure as yet for viral infections. Thoses of you who have had the disease know, however, that the symptomatic treatment we administer at the dispensary is extremely effective in relieving the discomfort associated with the disease until such time as it remits.

Q. Do you do OCS physicals in the dispensary? Carl L.

A. At the present time we are not equipped or staffed to handle the heavy load of exams presented to us. While the Air Base was helping us with the problem in the past. We are now in the process of revamping our thinking as they have stated that they will no longer help us out in this department. Please bear with us until we have an SOP to deal with this problem.

## Excerpts From THE

# Quill

Through the Great American Desert:

You've often wondered how you ever got here and when you leave for awhile and come back, you wonder if you ever left.

The wasteland is vast and desolate and everyone keeps telling you that you'll be out soon and everything will be O.K. and you won't have to dig in arid sands for underground springs any more. They've told you this for several years now. This all seems good enough, except that the time doesn't pass, and you're still here waiting in this wind-swept crater, exercising mind and body with something you remember that came before, with nothing to come after to back it up. The sun comes up and goes down a few times.

And you wonder if it is worth it, coming here with a measley survival kit of time to coat the dryness spreading in your throat, so you leave, just like that. Does everything go away? Will you stop seeing those distant oasis mirages before your eyes, or will the fantasy disappear and leave you helpless in a desert of time?



## Lost

Loosed a moment  
my mind taught its feet to fly  
skimming wind over bald hills  
plunging into leeward drifts  
rolling down frozen waves  
crushing nature's sculptures  
spraying powder splashing down against  
icy surface to tumble disappear  
tripping and kicking through fields  
cold, gasping throat  
sparkling sun screams  
till the day melts.

forgotten.

KIRK OLSEN

HAIKU

*Decrepit bark falls  
From the great oak, as again  
It tells the season.*

TONY STEVENS



## A Question of Balance

Eziridus wept the bruning tears of paternal remorse, and strained under the weight of his son's coffin.

As he had his father, and his grandfather, Eziridus had wished to someday be taken by his son on the last - and final - journey.

By his son! His son, upstanding in the superlative glory of youth, he had been as wise as he was loving and understanding. What he had meant to Eziridus - well, more than a corpse would be buried this day.

He had thought with disbelief of this day's possibility while polishing the ancestral sabre many months ago - before the war. The fiery gleam of the fine metal had been as bright as the deeply oiled wood his hand now gripped in despair.

The father stared forlornly at the gaping hole in the greedy earth. He felt wronged as his son descended to the depths forever. In the natural order of things, man buried his father - in war, the process was reversed.

DAN SNOW

# RAMASUN FLICK GUIDE

- 18 NOV HAMMER (R)
- 19 NOV "
- 20 NOV SOMETHING BIG (PG)
- 21 NOV \*JEREMIAN JOHNSON (PG)
- 22 NOV " "
- Late Shows - VALDEZ IS COMING (PG)
- 23 NOV CHILD'S PLAY (PG)
- 24 NOV REINCARNATE (PG)
- 25 NOV +CHINESE CONNECTION (R)
- 26 NOV " "
- 27 NOV WILLARD (PG)
- 28 NOV +SOUNDER (G)
- 29 NOV "

Late Shows - GET TO KNOW YOUR RABBIT (R)

- 30 NOV DOCTORS' WIVES (R)
- 1 DEC WICKED WICKED (PG)



\* - \$1.00 Admission  
 + - 75¢ Admission, all others 50¢.  
 Late Shows are at 2030 and 2330 only.

SUNDAY	1430	1830	2330
MONDAY		1830	
TUESDAY		1830	2030 2330
WEDNESDAY		1830	2330
THURSDAY		1830	
FRIDAY		1830	2030 2330
SATURDAY		1830	2030 2330

## "picks"

### CHINESE CONNECTION

Bruce Lee, modern expert in the ancient art of Kung-Fu demonstrates the deadliness of old skills as he seeks to solve the mystery of the untimely death of his beloved mentor. Competition between the ancient schools of the martial arts has become a serious business and Bruce Lee as Chen has his hands full as he kicks, chops, claws, mauls and slugs his way thru a maze of oriental intrigue and skullduggery. With an amazing display of physical dexterity and stamina he avenges the death of his teacher and preserves the ancient honor of his school. This is a sometimes violent film, filled with unbelievable displays of Kung-Fu which is often akin to Judo and Karate and yet more lethal.

### JEREMIAH JOHNSON

Jeremiah Johnson (Robert Redford) turns his back on civilization as he heads for an unknown future as a hunter-trapper in the wilds of Utah. As the story develops Jeremiah is eventually married and establishes his home amid the beautiful scenery of the mountains he has chosen as his domain. Following massacre of his family by Indians he sets out for vengeance. In turn the Indians look upon Jeremiah as a powerful legendary figure and repeatedly attempt to kill him to prove their own prowess. This film is an imaginative exciting and adventuresous treat for action fans.

FUEL SHORTAGE HITS RAMASUN

# CONSERVATION A MUST

It sure is nice to be able to shave and shower in hot water in the morning, ride the freebee to Udorn, or sit in an air-conditioned room after work. With the fuel crisis, these and many other comforts may have to be stopped.

Several months ago a conservation program was initiated by the Department of Defense. Their goal was to achieve a 40 percent overall reduction in energy consumption. It is because of this program that Ramasun was being rationed fuel by USASUPTHAI.

With the Mid East oil crisis the daily ration of fuel has gone from 5,400 gallons to 4,500 gallons. According to CPT Flowers, AMPAC conservation officer, the fuel supply we were using in the area was based on approximately 95 percent coming from the Mid East. He commented that the discontinuation of fuel shipments from the Mid East

has "really hurt us."

If things get worse in the future, all unnecessary services will be reduced so the little fuel on hand can be used in support of operational requirements. This is to include air conditioning, hot water, lights, etc.

There is something that can be done, however, and that is for each individual to take the initiative on his own and conserve as much energy as possible. Things such as closing doors to air-conditioned areas to keep the cool air in, turning off lights when not required, and other general conservation methods which you would use in your own home. Conserve a little now and save yourself a lot of trouble and discomfort in the future.

## Drug Quiz Answers

1. (C) White horse is the brand name of an amphetamine sold in most local drug stores. Lack of federal drug controls in Thailand makes the purchase of any drug in a local drug store ill-advised. The dispensary is the only authorized source of medication for personnel assigned to Ramasun.

2. (A) Hallucinogens (LSD, peyote, mescaline, psilocybin, STP, DMT), amphetamines (synthetic stimulants such as benzedrine, dexedrine, and methedrine speed) and cocaine, a natural stimulant, do not normally cause physical addiction. Barbituates (synthetic depressants such as Verbutal, Seconal, Luminal, and Amytal) and narcotic drugs, (also called opiates) such as opium, morphine, heroin (smack), and methadone, definitely cause physical addiction when used excessively.

3. (B) Cocaine is generally quite expensive. Panama Red is a type of marijuana; Owsley Acid is a type of LSD; Saigon Smack is a type of heroin.

4. (B) Drowsiness and immobility on half a joint indicates a heroin additive. Wine and clean grass would not produce immobility in such a small quantity. Methedrine would stimulate.

5. (E) Smack, or heroin, is often used to eliminate effects of being "strung out" (without sleep for several days). Window Pane, a drop of LSD on a small piece of acetate, would not cause sleep. Neither would coke (cocaine) nor peyote (see 2 above). Acapulco Gold, a type of marijuana, would not overcome effects of methedrine in a relatively short time.